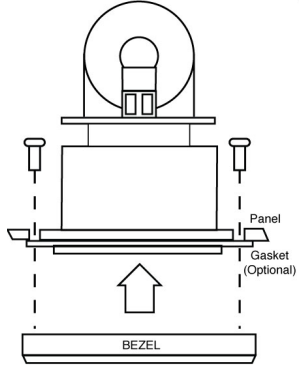
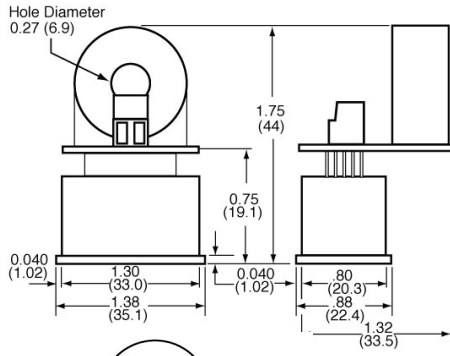
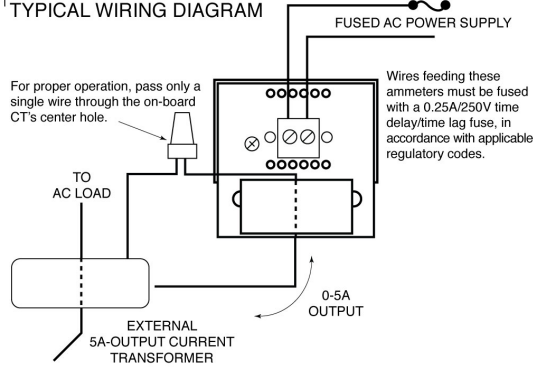


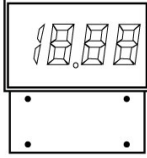
MECHANICAL SPECIFICATIONS



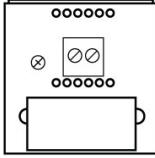
TYPICAL WIRING DIAGRAM



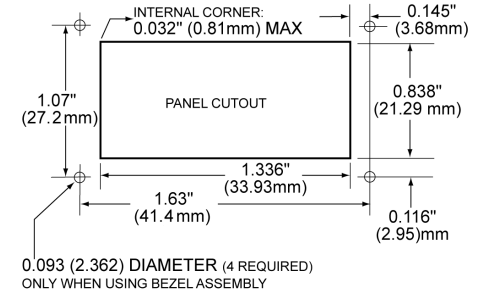
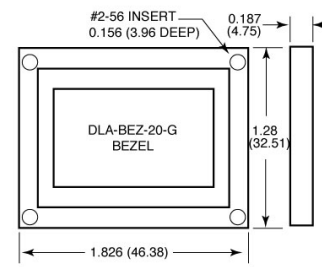
FRONT VIEW



BACK VIEW

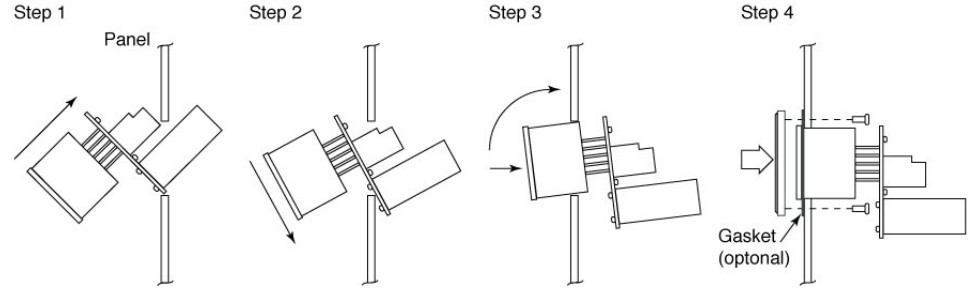


BEZEL INSTALLATION AND RECOMMENDED DRILL AND PANEL CUTOUT



PANEL INSTALLATION

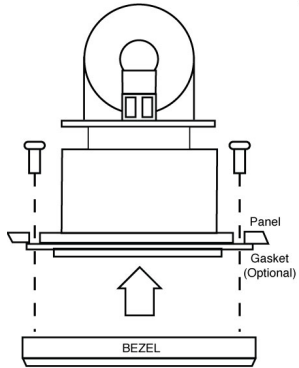
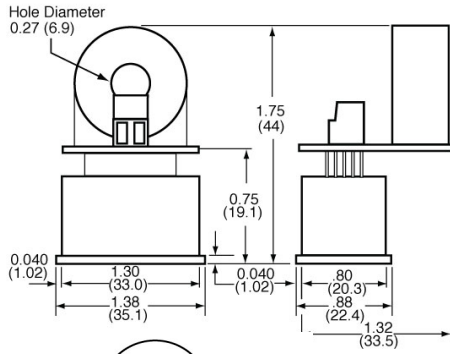
All connections to ammeters must be made after the ammeter is securely attached to the panel and with all load and supply voltages de-energized (off).



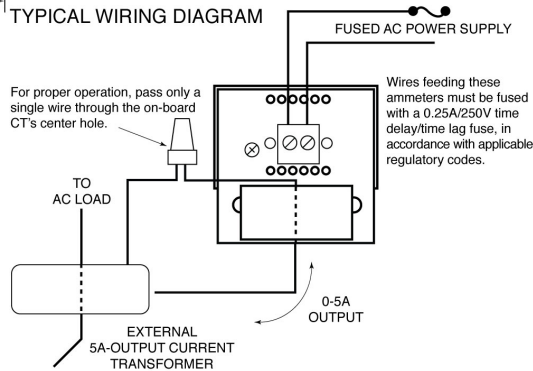
IS-058

Rev. 2/17

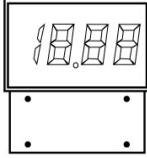
MECHANICAL SPECIFICATIONS



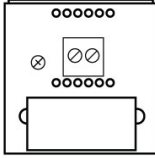
TYPICAL WIRING DIAGRAM



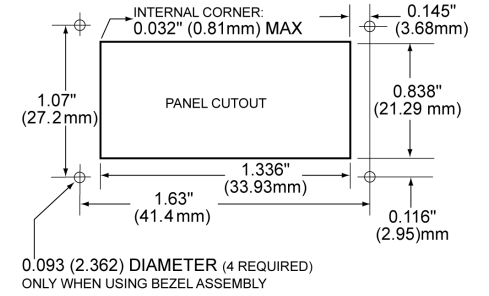
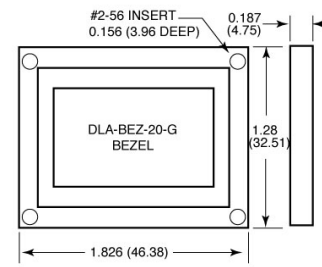
FRONT VIEW



BACK VIEW

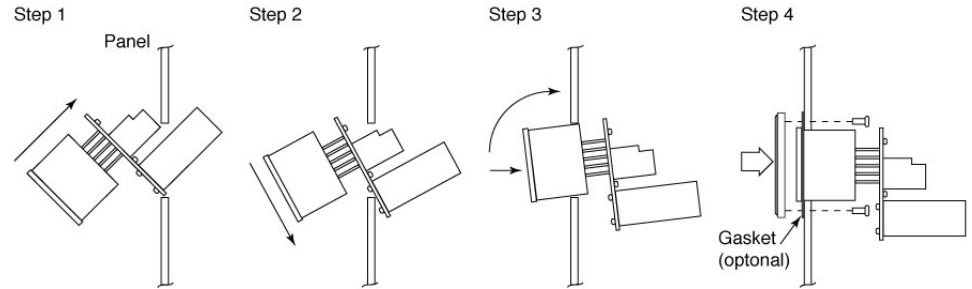


BEZEL INSTALLATION AND RECOMMENDED DRILL AND PANEL CUTOUT



PANEL INSTALLATION

All connections to ammeters must be made after the ammeter is securely attached to the panel and with all load and supply voltages de-energized (off).



IS-058

Rev. 2/17