

FEATURES

- ▶ 0.45", 3½ digit high contrast LCD
- ▶ Optional positive green backlight
- ▶ User-selectable decimal points
- ▶ Polycarbonate case
- ▶ Optional bezel mount



SPECIFICATIONS

DISPLAY

Numerical Size: .45" (11.43 mm)
 Overage: three lower order digits blank for inputs >1999 & < -1999
 Polarity Indication: automatic (-) for negative
 Supply Voltage: +5 VDC @2mA (10mA with backlight option)

INPUTS

Input Ranges: ±200 mVdc, ± 2Vdc, ±20Vdc, ±200Vdc
 Input Impedance: 1000 MΩ (200 mV)
 1 MΩ (other ranges)
 Common Mode Range: ± 1 Vdc

PERFORMANCE

Accuracy: ±1% F.S. ± 2 counts
 Sampling Rate: 3 per second

ENVIRONMENT

Operating Temperature: 0 to 50 °C
 Max Humidity: 95% (non-condensing)

CONNECTION

12 pin

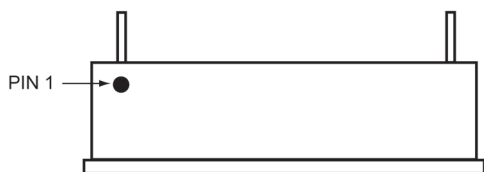
ORDERING INFO

| PART NUMBER | BACKLIGHT | METER INPUT |
|--------------|--------------------|-------------|
| DLA-300LCD | NONE | ±200mV |
| DLA-300LCD-L | .5V POSITIVE GREEN | ±200mV |
| DLA-301LCD | NONE | ±2V |
| DLA-301LCD-L | .5V POSITIVE GREEN | ±2V |
| DLA-302LCD | NONE | ±20V |
| DLA-302LCD-L | .5V POSITIVE GREEN | ±20V |
| DLA-303LCD | NONE | ±200V |
| DLA-303LCD-L | .5V POSITIVE GREEN | ±200V |

ACCESSORIES

| | |
|---------|---|
| DLA-BEZ | Bezel Assembly |
| PW2-5 | Regulated 120V AC to 5V DC Power Supply |
| CVC | Calibrator |

WIRING

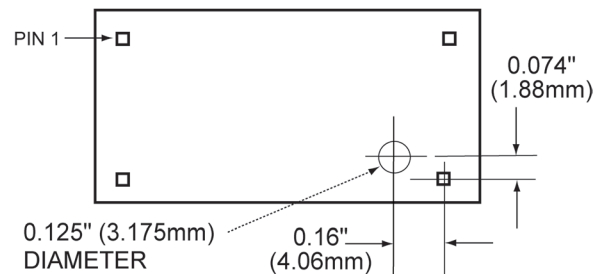


FRONT VIEW

| | | |
|------------|---|-------------------------|
| +5V SUPPLY | 1 | 12 (-) INPUT LO |
| OPT B/L | 2 | 11 (+) INPUT HI |
| 5V RETURN | 3 | 10 ANALOG COMMON |
| DP3 | 4 | 9 +1.23 V REFERENCE OUT |
| DP2 | 5 | 8 REFERENCE OUT |
| DP1 | 6 | 7 REFERENCE IN |

Pin Dimensions: 0.025" (0.626 mm) x 0.025" (0.626 mm)

FRONT VIEW CALIBRATION POTENTIOMETER HOLE LOCATION



To enable DPs (Pin 4-6) connect to Pin 3 (5V return)

Pin 3 should be tied to Pin 12 for normal operation

Connect Pins 7 & 8

To enable optional backlight, connect Pin 2 to Pin 3

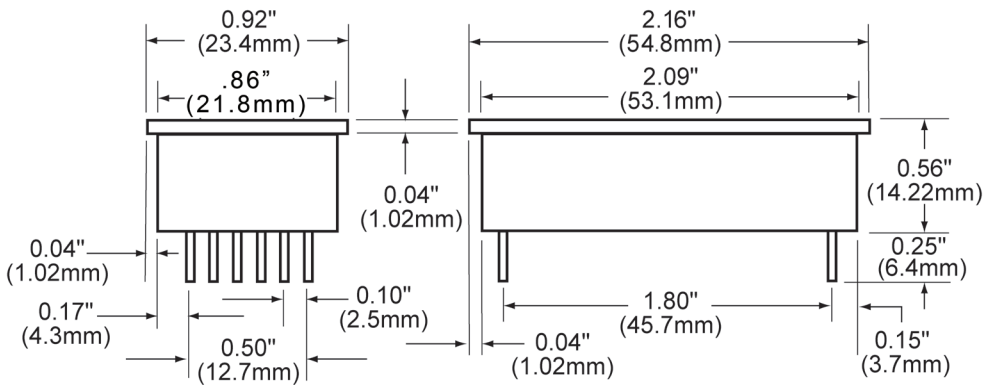


LCD Digital Panel Meters

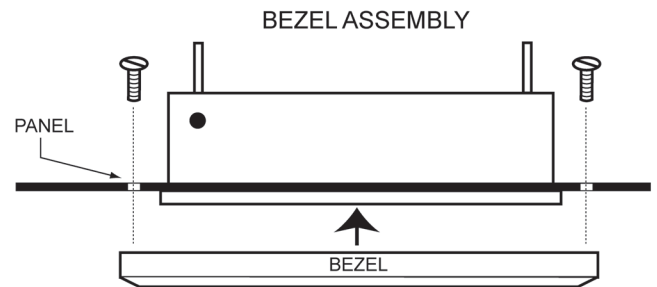
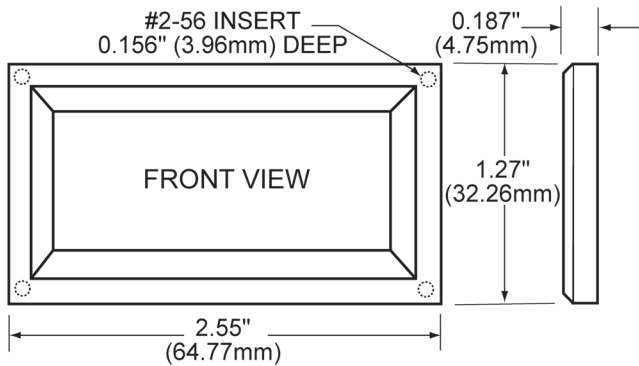
DLA-300LCD SERIES - 3½ Digit LCD



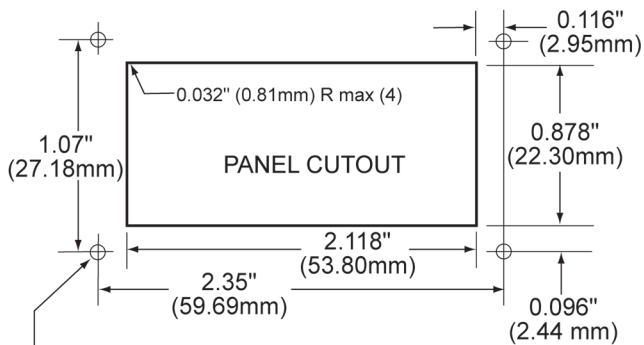
DIMENSIONS



BEZEL ASSEMBLY



RECOMMENDED PANEL CUTOUT



0.093 (2.362) DIAMETER (4 REQUIRED)
ONLY WHEN USING BEZEL ASSEMBLY

